



# FUNCTIONAL SKILLS MATHS & ENGLISH

## LEVEL 1 & 2 EXAMS

### Functional Skills Maths & English Exams

**Exam Centre** is a specialist provider of **Functional Skills** qualifications in **Maths** and **English**, offering **City & Guilds** examinations that are fully regulated and **approved by Ofqual**.

Our Functional Skills qualifications are recognised as equivalent to **GCSE grade 4+ (grade C and above)**, providing learners with a credible and nationally accepted route into further education, apprenticeships, and employment.

[BOOK NOW](#)

[LEARN MORE](#)

### Online Courses

- ➔ Functional Skills Maths
- ➔ Functional Skills English

### Exams

- ➔ Functional Skills **Maths** Level 1 or 2 Exams **in London**
- ➔ Functional Skills **English** Level 1 or 2 Exam **in London**
- ➔ **Online** Functional Skills **Maths** Level 1 or 2 Exams
- ➔ **Online** Functional Skills **English** Level 1 or 2 Exam

***Disclaimer:** The content of this document belongs to the respective awarding body and is shared for educational purposes only, Exam Centre does not claim ownership of this material.*



[www.examcentre.co.uk](http://www.examcentre.co.uk)



362 Essex Road  
Islington N1 3PD



020 7288 9020

**BOOK YOUR FUNCTIONAL SKILLS EXAM NOW!**

# TQUK Functional Skills Qualification in Maths at Level 2

## Examination Past Paper 8

Please complete the details below using black or blue ink. Use **BLOCK CAPITALS**.

Learner Name: \_\_\_\_\_

Learner Number: \_\_\_\_\_

Date: \_\_\_\_\_

Centre Name: \_\_\_\_\_

### Instructions:

- read each question **carefully**
- answer **all** questions
- write your answers **clearly** in the spaces provided
- **check** your answers.

### Information:

- this examination has **two** sections. These are clearly labelled
- you are **not allowed** to use a calculator for Section A
- you **are allowed** to use a calculator for Section B
- the **maximum** mark for this examination is 60
- the marks available for each question are shown in **bold** beneath each question.

### Items:

- you **will need** a pen with black or blue ink, a pencil, a ruler and an eraser (for diagrams, graphs and charts only)
- you **will need** a basic calculator for Section B only
- you **will need** a protractor
- you **will not** need any other stationery or equipment.

### Time allowed:

**30 minutes** for Section A (Non-calculator)

**90 minutes** for Section B (Calculator)

**Do not open this examination paper until you are told to do so.**

### For examiner use only

	<b>Marks available</b>	<b>Marks awarded</b>	<b>Second marks</b>
Section A	15		
Section B	45		
Total marks	60		

**This page is intentionally left blank.**

Past Paper

## Section A: Non-calculator

There are **15 marks** available in this section.  
You must **not** use a calculator in this section.  
You will have **30 minutes** to complete this section.



1. Work out  $5.817 - 2.75$

--

Answer	
--------	--

[1]

2. Work out  $4 \times 3.145$

--

Answer	
--------	--

[1]

Questions continue on the following page

3. Convert 12 kilometres into miles.

*Use 1.6 kilometres = 1 mile*

--

<b>Answer</b>	
---------------	--

<b>Answer</b>	<b>miles</b>
---------------	--------------

[2]

4. There are 824 students at a school.

112 of them are in their final year.

One student is chosen at random.

What is the probability that this student is in their final year?

Give your answer as a fraction in its simplest form.

--

<b>Answer</b>	
---------------	--

[2]

5. Morgan is the manager of a concert arena.

The number of tickets sold in two years is shown:

<b>Year 1:</b>
784 693 tickets

<b>Year 2:</b>
523 154 tickets

Morgan thinks that the total number of tickets sold in these two years is more than 1 400 000

Is Morgan correct?

**Show how you decide.**

<b>Answer</b>	

[2]

**Questions continue on the following page**

6. Work out the original cost of this television:

<p><b>Television</b></p> <p>20% off</p> <p>Now only £240</p>
--

--

<b>Answer</b>	£
---------------	---

[2]

7. Work out:

$$8\frac{1}{4} + 6\frac{1}{5}$$

Give your answer as a mixed number.

--

<b>Answer</b>	
---------------	--

[2]

8. Dua is going to make a gold bracelet using 50 cubic centimetres (cm<sup>3</sup>) of liquid gold.

Dua knows the density of gold is 19.3 g/cm<sup>3</sup>.

How many grams of gold will Dua need to make the bracelet?

Use: Density =  $\frac{\text{mass}}{\text{volume}}$

Past Paper	
<b>Answer</b>	<b>grams</b>

[3]

**End of Section A.**

**Section B begins on Page 7.**

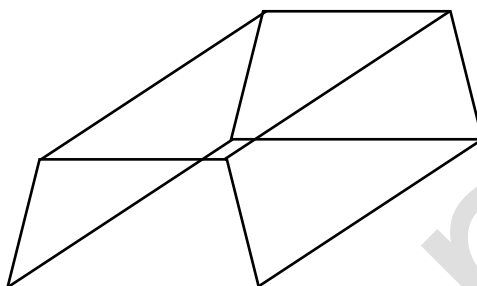
Past paper

## Section B: Calculator

There are **45 marks** available in this section.  
You **can** use a basic calculator in this section.  
You will have **90 minutes** to complete this section.



1. What is this shape?

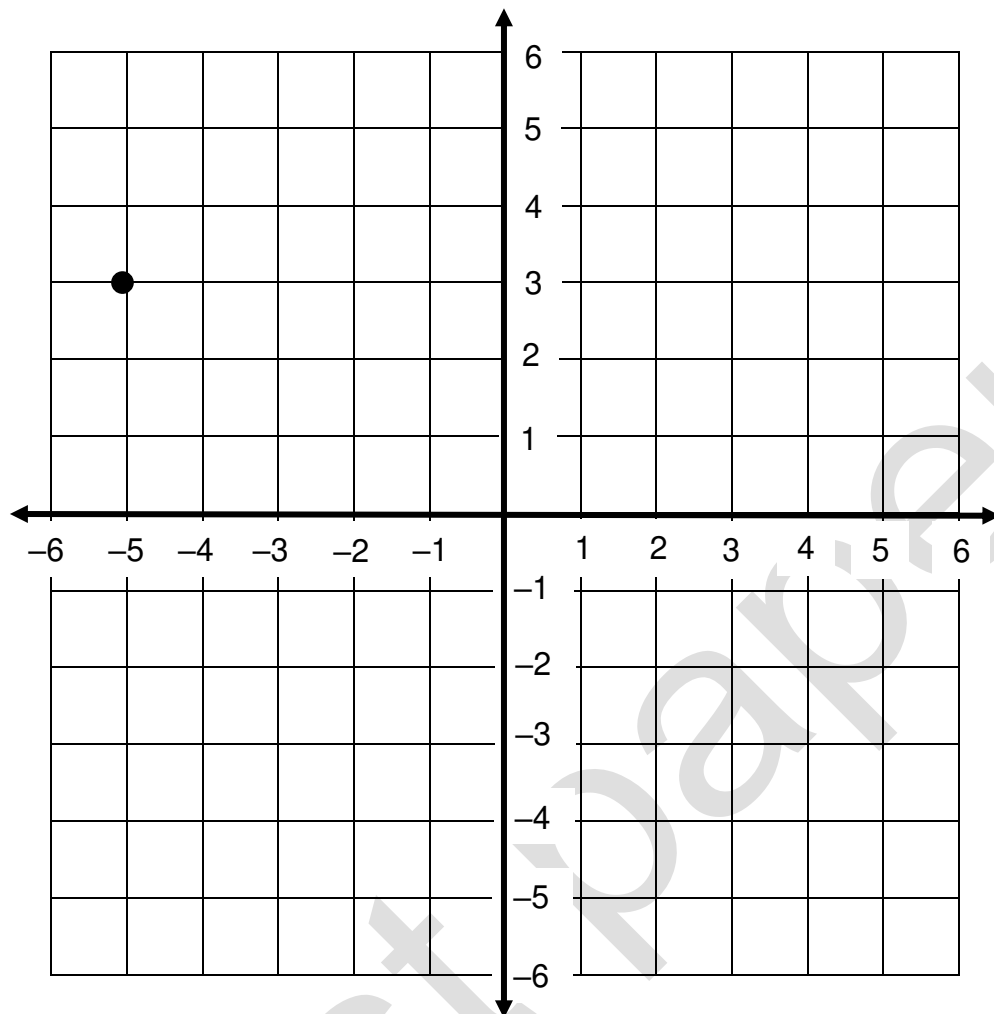


a) Pyramid	b) Trapezium
c) Cuboid	d) Prism
	<b>Answer</b>

[1]

Questions continue on the following page

2. Write down the coordinates of the point plotted on the grid.



<b>Answer</b>	(     ,     )
---------------	---------------

[1]

3. Zola wants a new sofa.

Zola can choose either a grey or blue sofa.

Both sofas have the same original price.

<b>Grey sofa</b> $\frac{1}{9}$ off	<b>Blue sofa</b> 12% off
---------------------------------------	-----------------------------

Which sofa has the bigger discount?

**Show how you decide.**

<b>Answer</b>	

[2]

**Questions continue on the following page**

4. Work out:

$$\frac{4^2 + 40 \div 2}{15 - 3 \times 4}$$

Show your working.

--

Answer	
--------	--

[2]

Past paper

5. A local farm sells milk in glass bottles for £0.80 per pint.  
The farm increases the price to £1.00 per pint.  
Work out the percentage increase in price.

--

<b>Answer</b>
---------------

<b>%</b>
----------

**[2]**

6. Tai needs their house painted within 10 days.  
It will take 3 painters 6 days to paint the house.  
Will 2 painters working at the same rate get the house painted within 10 days?  
**Show how you decide.**

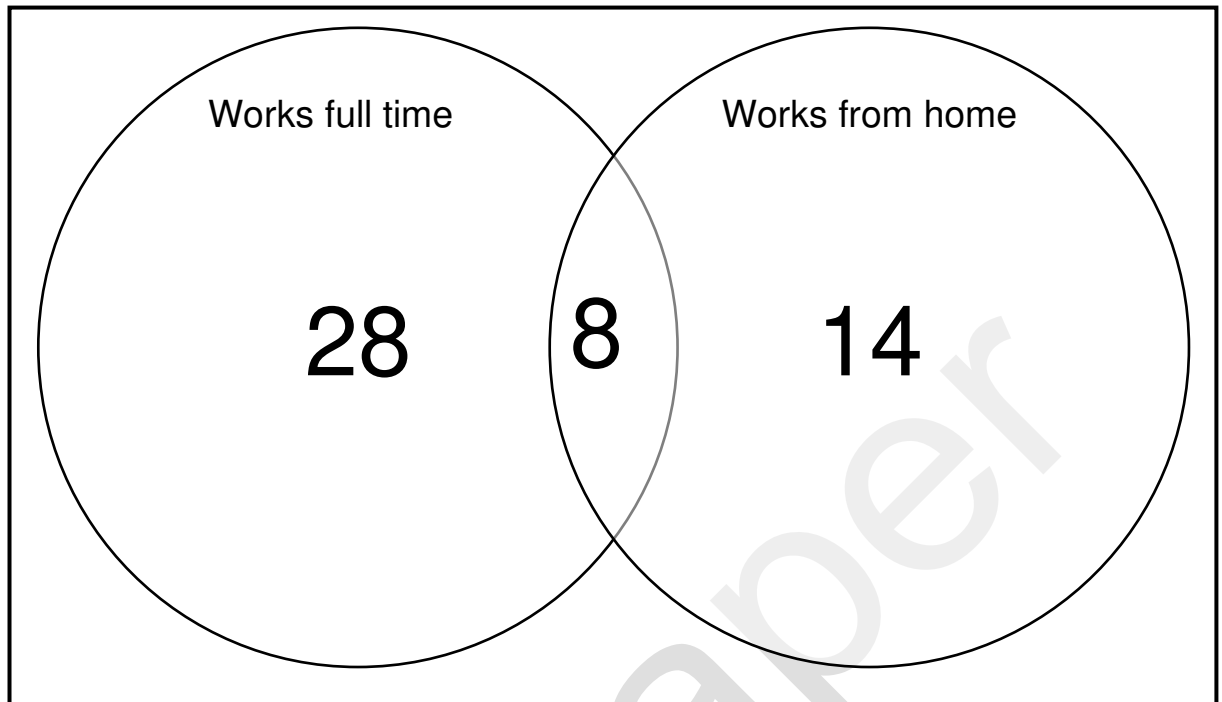
--

<b>Answer</b>
---------------

**[2]**

**Questions continue on the following page**

7. The Venn diagram shows the working patterns of a group of employees.



One of these employees is chosen at random.

What is the probability that this employee works full time?

Give your answer as a decimal **and** a percentage.

Answer area for the probability question.

**Answer**

a) Decimal:

b) Percentage:

**[3]**

8. Harper walks 15 kilometres in 200 minutes.  
Harper thinks this is 4.2 kilometres per hour (kph).  
Is Harper correct?  
**Show how you decide.**

--

Answer
--------

kph
-----

[3]

Questions continue on the following page

9. Charu needs to estimate the curved surface area of a hemisphere.

Charu knows:

- the radius of the hemisphere is 9 cm
- $\pi = 3.14159$

Charu rounds  $\pi$  to the nearest whole number to estimate the curved surface area.

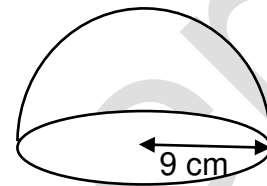
What answer should Charu get?

Use:

$$A = \frac{4\pi r^2}{2}$$

Where:

$A$  = curved surface area of sphere  
 $r$  = radius of hemisphere



Not drawn to scale

Show your working.

Large empty rectangular box for showing working.

Answer

cm<sup>2</sup>

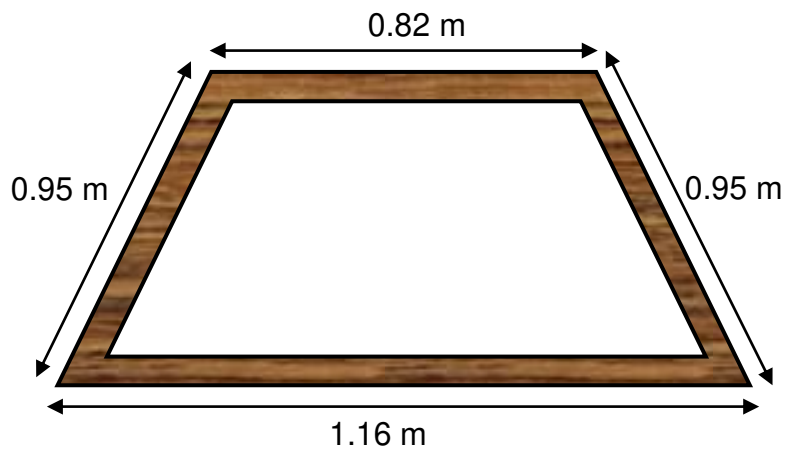
[3]

- 10.** Drew needs to order 200 paper cups for a party.  
Drew needs small, medium and large cups in the ratio 14 : 4 : 2  
Drew thinks there will be 108 more small cups than large cups.  
Is Drew correct?  
**Show how you decide.**

<b>Past Paper</b>	
<b>Answer</b>	

**[3]****Questions continue on the following page**

11. Kai wants to make a wooden picture frame with the dimensions shown below:



Kai wants to buy 14% more wood than needed to allow for any mistakes.

Kai buys 4.5 metres of wood.

Has Kai bought enough wood?

**Show your working.**

Answer

[4]

12. Billie owns a café. Deepal is the café manager.

The table shows how many customers the café had over two weeks.

	Monday	Tuesday	Wednesday	Thursday	Friday
Week 1	22	38	46	30	44
Week 2	23	40	45	42	20

Deepal thinks that on average there were more customers per day on week 1.

Billie disagrees.

Show how **both** could be correct.

**Show your working.**

<b>Give reason here:</b>

[4]

Questions continue on the following page

**13.** Ashley wants to buy a motorbike for £9750

Ashley paid £5000 into a new savings account two years ago.

The savings account paid 4% compound interest per year.

Ashley will use all the money in the savings account as a deposit towards the motorbike.

The rest will be paid in 40 equal monthly payments.

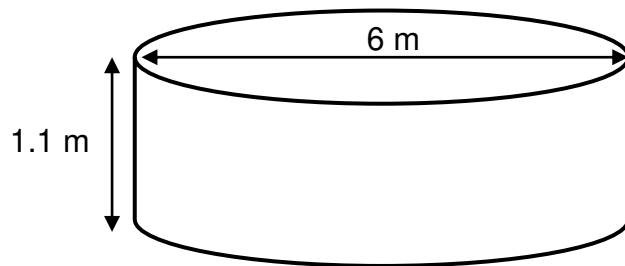
How much will each monthly payment be?

Blank area for the student's answer.

<b>Answer</b>	£
---------------	---

**[4]**

14. Taylor has a fishpond in the shape of a cylinder.



Not drawn to scale

Taylor uses this formula to work out how many fish can be put into the pond.

$$\text{Maximum number of fish} = \frac{\text{volume (in m}^3\text{) of pond multiplied by 220}}{1000}$$

What is the maximum number of fish Taylor can put in the pond?

Use  $\pi = 3.14$

Answer area for the question.

Answer

fish

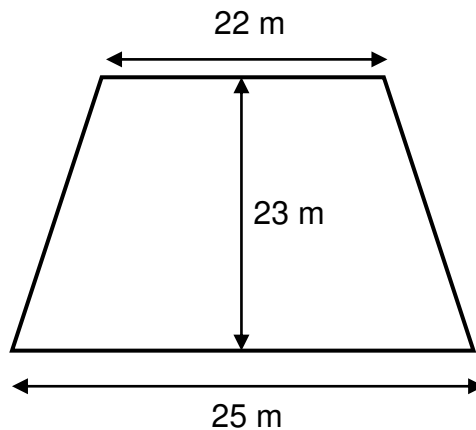
[5]

Questions continue on the following page

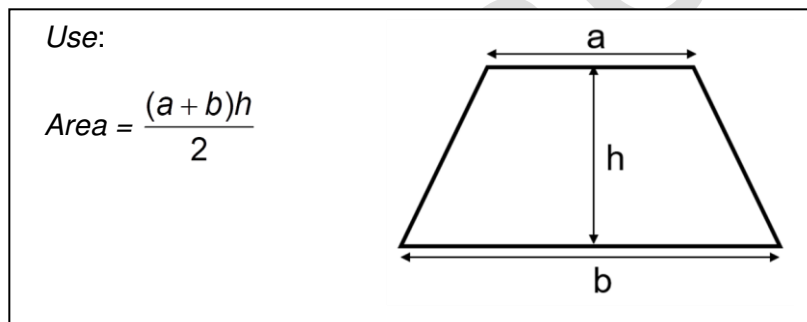
15. Amory has turned a barn into an event venue.

Amory wants to estimate how much money the venue can be rented out for.

The floor plan of the venue is shown below:



Not drawn to scale



Amory estimates that one person will require  $2.6 \text{ m}^2$  of floor space.

Amory finds these prices other local venues charge.

Venue	A	B	C	D	E
Price per person	£20	£35	£45	£30	£50

Amory will charge the median price.

What is the maximum amount of money Amory can expect to make?

**Show your working.**

**Answer box is on the following page**

--

<b>Answer</b>	<b>£</b>
---------------	----------

**[6]**

**This is the end of the assessment.**

Past paper



# Ready to Take Your Functional Skills Exam?

Exam Centre is offering Ofqual-regulated, City & Guilds approved Functional Skills Maths and English exams; the nationally recognised GCSE grade 4+ (grade C) equivalent. Whether you're sitting for the first time or resitting, we offer flexible exam bookings online and at our centre all year round.

 **Book Now!**

## Book Your Exams & Courses

Qualification	Private Course	Online Exam	Exam in London
Functional Skills Maths Level 1 & 2	<a href="#">Enrol on Course</a>	<a href="#">Book Online Exam</a>	<a href="#">Book London Exam</a>
Functional Skills English Level 1 & 2	<a href="#">Enrol on Course</a>	<a href="#">Book Online Exam</a>	<a href="#">Book London Exam</a>

## Why Exam Centre?

- Ofqual-regulated & fully accredited
- City & Guilds approved awarding body exams
- Accepted by employers, colleges, universities & apprenticeship providers
- Flexible online and in-person options across the UK
- Recognised GCSE Maths & English equivalent (grade 4+ / grade C)

CALL US FOR MORE INFORMATION:

 **020 7288 9020**

 [booking@examcentre.co.uk](mailto:booking@examcentre.co.uk)

 [www.examcentre.co.uk](http://www.examcentre.co.uk)