



# FUNCTIONAL SKILLS MATHS & ENGLISH

## LEVEL 1 & 2 EXAMS

### Functional Skills Maths & English Exams

**Exam Centre** is a specialist provider of **Functional Skills** qualifications in **Maths** and **English**, offering **City & Guilds** examinations that are fully regulated and **approved by Ofqual**.

Our Functional Skills qualifications are recognised as equivalent to **GCSE grade 4+ (grade C and above)**, providing learners with a credible and nationally accepted route into further education, apprenticeships, and employment.

[BOOK NOW](#)

[LEARN MORE](#)

### Online Courses

- ➔ Functional Skills Maths
- ➔ Functional Skills English

### Exams

- ➔ Functional Skills **Maths** Level 1 or 2 Exams **in London**
- ➔ Functional Skills **English** Level 1 or 2 Exam **in London**
- ➔ **Online** Functional Skills **Maths** Level 1 or 2 Exams
- ➔ **Online** Functional Skills **English** Level 1 or 2 Exam

***Disclaimer:** The content of this document belongs to the respective awarding body and is shared for educational purposes only, Exam Centre does not claim ownership of this material.*



[www.examcentre.co.uk](http://www.examcentre.co.uk)



362 Essex Road  
Islington N1 3PD



020 7288 9020

**BOOK YOUR FUNCTIONAL SKILLS EXAM NOW!**

# TQUK Functional Skills Qualification in Maths at Level 2

## Examination Past Paper 6

Please complete the details below using black or blue ink. Use **BLOCK CAPITALS**.

Learner Name: \_\_\_\_\_

Learner Number: \_\_\_\_\_

Date: \_\_\_\_\_

Centre Name: \_\_\_\_\_

### Instructions:

- read each question **carefully**
- answer **all** questions
- write your answers **clearly** in the spaces provided
- **check** your answers.

### Information:

- this examination has **two** sections. These are clearly labelled
- you are **not allowed** to use a calculator for Section A
- you **are allowed** to use a basic calculator for Section B
- the **maximum** mark for this examination is 60
- the marks available for each question are shown in **bold** beneath each question.

### Items:

- you **will need** a pen with black or blue ink, a pencil, a ruler and an eraser (for diagrams, graphs and charts only)
- you **will need** a basic calculator for Section B only
- you **will need** a protractor and a compass
- you **will not** need any other stationery or equipment.

### Time allowed:

**30 minutes** for Section A (Non-calculator)

**90 minutes** for Section B (Calculator)

**Do not open this examination paper until you are told to do so.**

### For examiner use only

	<b>Marks available</b>	<b>Marks awarded</b>	<b>Second marks</b>
Section A	15		
Section B	45		
Total marks	60		

**This page is intentionally left blank.**

Past Paper

## Section A: Non-calculator

There are **15 marks** available in this section.  
You must **not** use a calculator in this section.  
You will have **30 minutes** to complete this section.



1. Work out  $2.109 + 0.98$

--

Answer	
--------	--

[1]

2. Work out the difference between  $-4600$  and  $8000$

--

Answer	
--------	--

[1]

Questions continue on the following page

3. Round 7.5385 to one decimal place.

Use your rounded value to **estimate** the answer to  $30\,000 \times 7.5385$

**Show your working.**

--

Answer	
--------	--

[2]

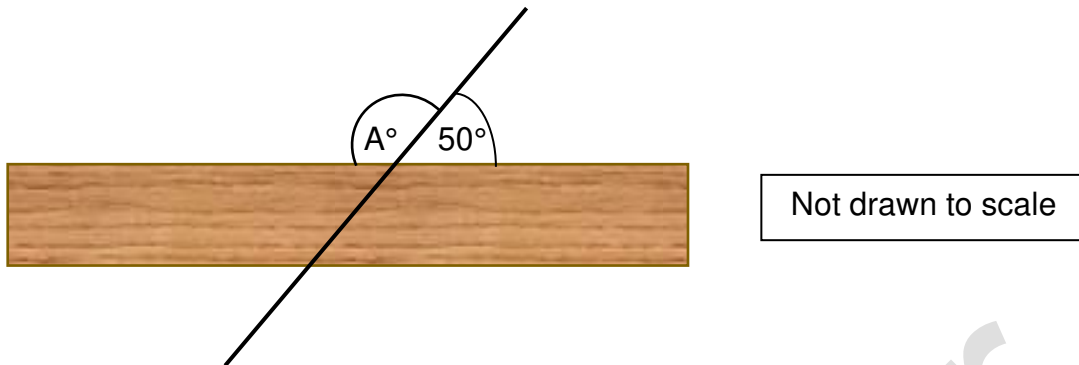
4. Work out  $7^2 (40 \div 4)$

--

Answer	
--------	--

[2]

5. Ashley needs to cut a piece of wood as shown:



Ashley thinks angle A will be  $140^\circ$

Is Ashley correct?

**Show how you decide.**

<b>Answer</b>	

[2]

Questions continue on the following page

6. There are 300 sweets in a box.

There are:

- 52 chocolate sweets
- 150 strawberry sweets
- 98 lemon sweets.

One sweet is chosen at random.

What is the probability that the sweet chosen is a chocolate sweet?

Give your answer as a fraction in its simplest form.

--

<b>Answer</b>	
---------------	--

[2]

7. A steel block has:

- mass = 7850 grams (g)
- volume = 1000 cm<sup>3</sup>

Work out the density of the concrete block.

--

<b>Answer</b>	
---------------	--

[2]

8. Enkai needs 2.5 litres (l) of water.  
The jug Enkai uses measures in pints (pt).  
Enkai measures out 4.5 pints of water.  
Does Enkai have enough water?

**Show how you decide.**

*Use 1 litre = 1.759 pints*

Past paper
------------

Answer	
--------	--

[3]

**End of Section A.**

**Section B begins on Page 7.**

Past Paper

## Section B: Calculator

There are **45 marks** available in this section.  
 You **can** use a basic calculator in this section.  
 You will have **90 minutes** to complete this section.



1. Write down the mode of these numbers:

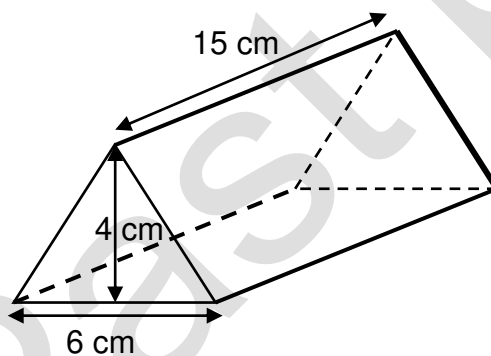
8.375    8.400    8.000    8.750    8.500    8.375    8.725

--	--

Answer

[1]

2. The diagram shows a triangular prism:



Not drawn to scale

Work out the area of the base of the prism.

--	--

Answer

cm<sup>2</sup>

[1]

Questions continue on the following page

3. Nilam wants to buy a new laptop.

Nilam finds these offers for the same laptop on different websites:

<b>Website A</b>
$\frac{3}{8}$ off

<b>Website B</b>
34% off

Which website gives the bigger discount?

**Show how you decide.**

<b>Answer</b>	

[2]

4. Use this formula to convert 15 degrees Celsius ( $^{\circ}\text{C}$ ) into degrees Fahrenheit ( $^{\circ}\text{F}$ ):

$$F = \frac{9C}{5} + 32$$

--

Answer
--------

$^{\circ}\text{F}$
--------------------

[2]

5. Charu normally sells cakes for £4.00 each.  
Charu raises the selling price of each cake to £12.00  
Calculate the percentage change.

--

Answer
--------

%
---

[2]

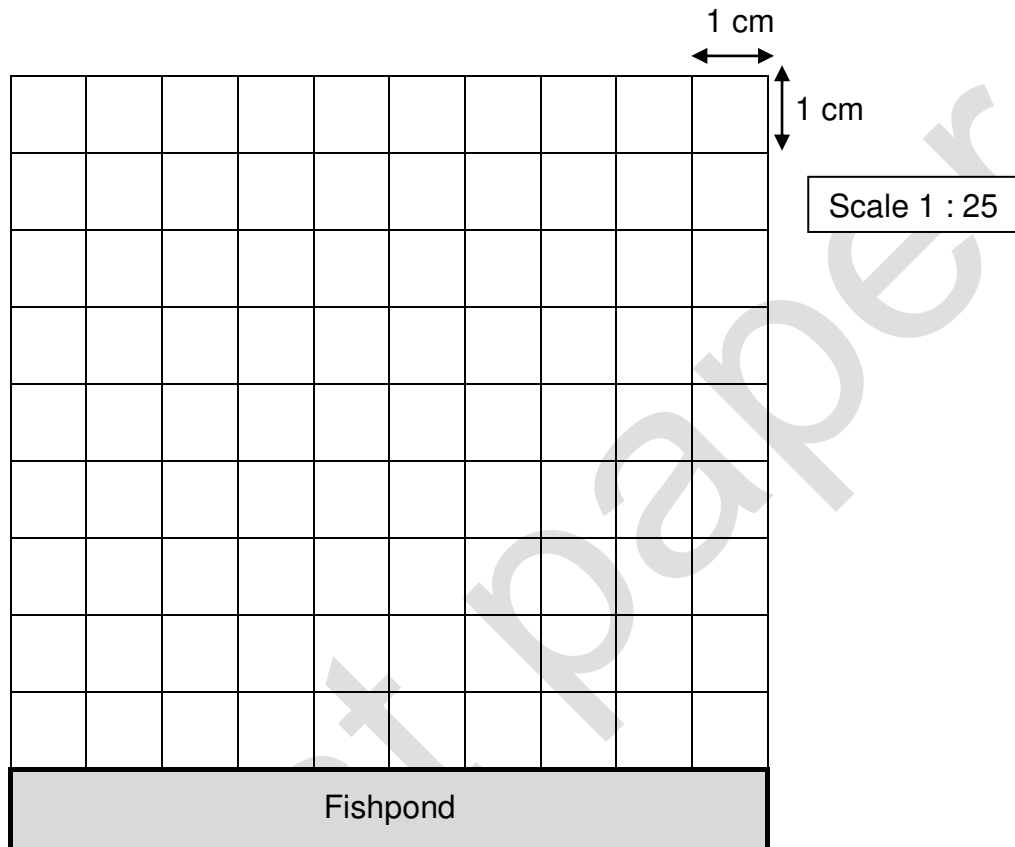
Questions continue on the following page

6. Sasa wants to put a picnic table in a garden.

The table needs to be:

- in the shape of a square with side length 0.5 metres (m)
- 1 metre away from the fishpond.

Draw a possible position for the table on the scale diagram below:



[2]

7. Frankie needs to order 400 cupcakes for a party.

Frankie needs to order lemon, strawberry and chocolate cupcakes in the ratio:

9 : 4 : 3

Frankie thinks there will be 100 more lemon cupcakes than strawberry cupcakes.

Is Frankie correct?

**Show how you decide.**

Past paper	
<b>Answer</b>	

**[3]**

**Questions continue on the following page**

8. Drew is a manager of a company and needs to set the budget for next year.

This year there was a budget of £980 000

Drew increases this budget by 4%.

Drew thinks the new budget will be less than £1 020 000

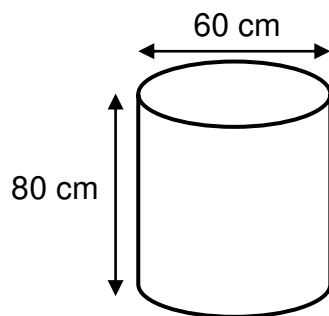
Is Drew correct?

**Show how you decide.**

Past paper	
<b>Answer</b>	

[3]

9. Dayo needs to paint the outside of this cylinder, including the top and the bottom:



Not drawn to scale

Dayo thinks the total area to be painted is less than 20 000 cm<sup>2</sup>

Is Dayo correct?

**Show how you decide.**

*Use  $\pi = 3.14$*

--

<b>Answer</b>	
---------------	--

**[3]**

**Questions continue on the following page**

- 10.** On Monday, Arya got a new TV package.  
On Tuesday, Kai got the same TV package but got a 28% discount.  
Kai pays £21.60 per month after receiving the discount.  
How much more does Arya pay for the package?

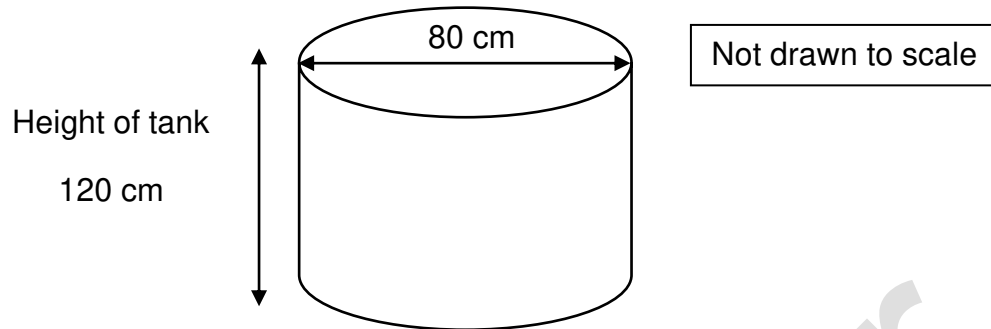
--

<b>Answer</b>
---------------

**[3]**

11. Cam is setting up a new fish tank.

The fish tank is in the shape of a cylinder:



Cam uses this formula to work out how many pounds (lbs) of gravel to add to the tank:

$$\text{Amount of gravel in pounds (lbs)} = \text{volume of tank divided by 4546}$$

How much gravel does Cam need to add to the tank?

Use  $\pi = 3.14$

Answer

lbs

[4]

Questions continue on the following page

**12.** Quinn wants to buy a new computer for £3000

Quinn paid £1500 into a new savings account two years ago.

The savings account paid 2% compound interest per year.

Quinn uses all of the money that is now in the savings account as a deposit towards the computer.

The balance will be paid in equal monthly instalments of £119.95

How long will it take Quinn to pay for the computer?

**Show your working.**

Past paper	
------------	--

<b>Answer</b>	
---------------	--

**[4]**

13. Jude grows sunflowers in two different fields.

These are the heights of each flower in Field A:

Field A					
134 cm	186 cm	120 cm	200 cm	118 cm	166 cm

This is a summary of the heights of each flower in Field B:

Field B	
Mean height	162 cm
Range	70 cm

Jude claims:

- a) 'on average, sunflowers grew taller in Field A.'  
b) 'the heights are more consistent in Field A.'

Are both of Jude's claims correct?

Give reasons for your answers.

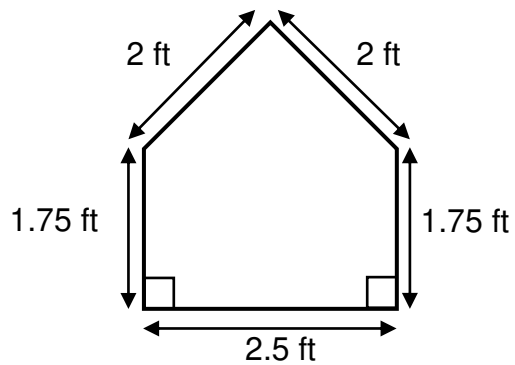
**Show your working.**

Reason - claim a)
Reason - claim b)

[4]

Questions continue on the following page

14. Zuri wants to put a wooden border around the flower bed shown:



Not drawn to scale

Zuri measured the dimensions of the garden in feet (ft).

The shop sells wood in metres (m).

Zuri will buy 12% more wood than needed to allow for mistakes.

How many metres of wood does Zuri need to buy in total?

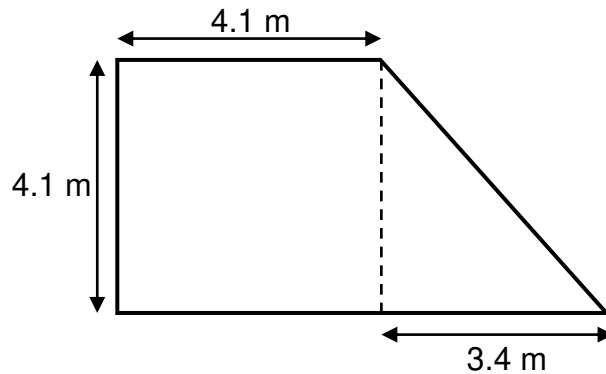
*Use 1 foot = 0.305 metres*

Answer

m

[5]

15. Jordan wants to tile this floor:



Not drawn to scale

Jordan finds these prices:

Price per square metre (m <sup>2</sup> )						
£80.50	£75.99	£50.99	£60.50	£100.00	£45.75	£100.00

Jordan buys the tiles with the median price.

How much will Jordan pay in total?

Give your answer to the nearest pound (£).

**Show your working.**

**Answer box is on the following page**

--

<b>Answer</b>	<b>£</b>
---------------	----------

**[6]**

**This is the end of the assessment.**

Past paper



# Ready to Take Your Functional Skills Exam?

Exam Centre is offering Ofqual-regulated, City & Guilds approved Functional Skills Maths and English exams; the nationally recognised GCSE grade 4+ (grade C) equivalent. Whether you're sitting for the first time or resitting, we offer flexible exam bookings online and at our centre all year round.

 **Book Now!**

## Book Your Exams & Courses

Qualification	Private Course	Online Exam	Exam in London
Functional Skills Maths Level 1 & 2	<a href="#">Enrol on Course</a>	<a href="#">Book Online Exam</a>	<a href="#">Book London Exam</a>
Functional Skills English Level 1 & 2	<a href="#">Enrol on Course</a>	<a href="#">Book Online Exam</a>	<a href="#">Book London Exam</a>

## Why Exam Centre?

- Ofqual-regulated & fully accredited
- City & Guilds approved awarding body exams
- Accepted by employers, colleges, universities & apprenticeship providers
- Flexible online and in-person options across the UK
- Recognised GCSE Maths & English equivalent (grade 4+ / grade C)

CALL US FOR MORE INFORMATION:

 **020 7288 9020**

 [booking@examcentre.co.uk](mailto:booking@examcentre.co.uk)

 [www.examcentre.co.uk](http://www.examcentre.co.uk)