



# FUNCTIONAL SKILLS MATHS & ENGLISH

## LEVEL 1 & 2 EXAMS

### Functional Skills Maths & English Exams

**Exam Centre** is a specialist provider of **Functional Skills** qualifications in **Maths** and **English**, offering **City & Guilds** examinations that are fully regulated and **approved by Ofqual**.

Our Functional Skills qualifications are recognised as equivalent to **GCSE grade 4+ (grade C and above)**, providing learners with a credible and nationally accepted route into further education, apprenticeships, and employment.

[BOOK NOW](#)

[LEARN MORE](#)

### Online Courses

- ➔ Functional Skills Maths
- ➔ Functional Skills English

### Exams

- ➔ Functional Skills **Maths** Level 1 or 2 Exams **in London**
- ➔ Functional Skills **English** Level 1 or 2 Exam **in London**
- ➔ **Online** Functional Skills **Maths** Level 1 or 2 Exams
- ➔ **Online** Functional Skills **English** Level 1 or 2 Exam

***Disclaimer:** The content of this document belongs to the respective awarding body and is shared for educational purposes only, Exam Centre does not claim ownership of this material.*



[www.examcentre.co.uk](http://www.examcentre.co.uk)



362 Essex Road  
Islington N1 3PD



020 7288 9020

**BOOK YOUR FUNCTIONAL SKILLS EXAM NOW!**

**Level 2 Functional Skills Mathematics  
SAMPLE PAPER 2**

**Duration: 25 minutes  
Total marks: 15 marks**

**SECTION 1 – CALCULATOR NOT PERMITTED**

Candidate name (first, last)

First

Last

Candidate enrolment number

Date of birth (DDMMYYYY)

Assessment date (DDMMYYYY)

Centre number

Candidate signature and declaration\*

**\*I declare that I had no prior knowledge of the questions in this assessment and that I will not share information about the questions.**

**Please check that your name is correctly printed on the candidate barcode label.  
If not, please tell the invigilator before the start of the exam.**

**You should have the following for this assessment:**

- a pen with black or blue ink
- a pencil (for diagrams, graphs and charts only)
- an eraser
- a 30cm ruler.



**You must NOT use a protractor.**

**You must NOT use a calculator for Section 1.**

**General instructions**

- Read through each question carefully.
- Write all your answers in this booklet.
- Check your calculations and check that your answers make sense.

## SECTION 1 – CALCULATOR NOT PERMITTED

There are **15** marks available in this section.

You should check all your work as you go along.

You must **not** use a calculator in this section.



**Q1**

What is 108 as a fraction of 648? Give your answer in its simplest form.

$$\frac{\square}{\square}$$

**(1 mark)**

**Q2**

Which one of the following lists is in decreasing order?

*(tick one box)*

**A**      $\frac{1}{5}$     0.05     $\frac{17}{50}$     0.15   

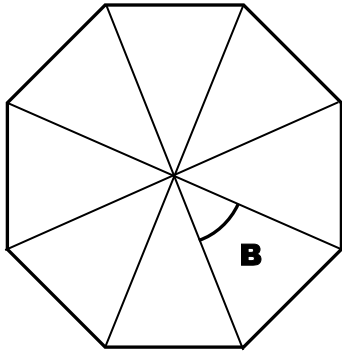
**B**     0.05     $\frac{17}{50}$      $\frac{1}{5}$     0.15   

**C**     0.15     $\frac{1}{5}$     0.05     $\frac{17}{50}$    

**D**      $\frac{17}{50}$      $\frac{1}{5}$     0.15    0.05   

**(1 mark)**

**Q3** The diagram shows a regular polygon.



What is the size of angle B.

\_\_\_\_\_°

**(1 mark)**

**Q4**

Work out the value of y if  $4y = 144$

\_\_\_\_\_

**(1 mark)**

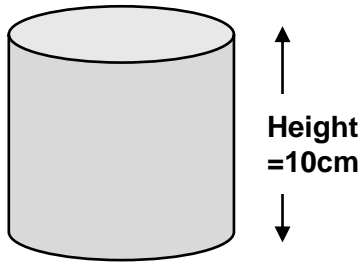
**Q5**

$$\frac{3^2}{3} - 28 =$$

\_\_\_\_\_

**(1 mark)**

**Q6** The radius of the top of this cylinder is **7cm**



Use  $\pi = \frac{22}{7}$

What is the volume of the cylinder?

\_\_\_\_\_ cm<sup>3</sup>

**(1 mark)**

**Q7**

$$\frac{11}{8} - \frac{1}{16} =$$

*(tick one box)*

**A**      $\frac{5}{8}$     

**B**      $1\frac{5}{8}$     

**C**      $1\frac{5}{16}$     

**D**      $2\frac{5}{16}$     

**(1 mark)**

**Q8**

$$4.50 \div 0.05 =$$

\_\_\_\_\_

**(1 mark)**

Q9

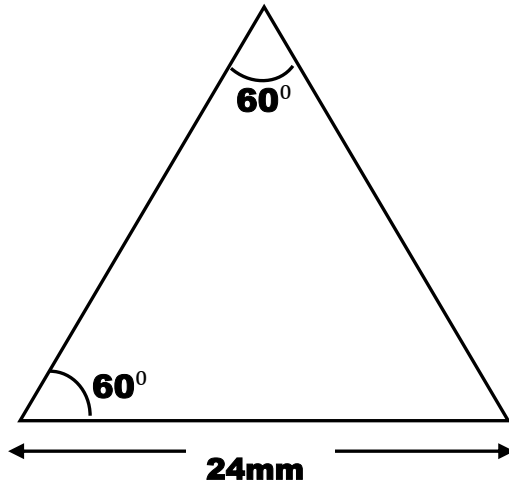


Diagram not to scale

What is the perimeter of this triangle?

\_\_\_\_\_ mm

(1 mark)

**Q10** A call centre aims to deal with calls in less than 5 minutes.

Calls come in randomly.

The table shows data for the calls made to the centre.

Type of call	Proportion of all calls	Completed in less than 5 minutes
Customer complaints	$\frac{1}{4}$	$\frac{1}{2}$
New business	$\frac{3}{4}$	$\frac{1}{8}$

Work out the probability that the next call will be a customer complaint completed within under 5 minutes.

Give your answer as a fraction in its simplest form.

$$\frac{\square}{\square}$$

(1 mark)

**Q11** The government announces that the minimum wage for people over 25 years old will increase from £8.21 to £8.72 per hour.

A 26 year old woman works 30 hours a week and is paid the minimum wage.

She thinks that the extra money she will earn will cover a rent increase of £20 per week.

Is the woman correct? Show your calculation.

**Decision** (*tick one*) **yes**  **no**

**Calculation**

**(1 mark)**

**Q12** A driver sees this speed limit sign in France. The speed is in kilometres per hour.



He is driving at 80 miles per hour.

$$1 \text{ kilometre} = \frac{5}{8} \text{ mile}$$

He thinks this is below the speed limit.

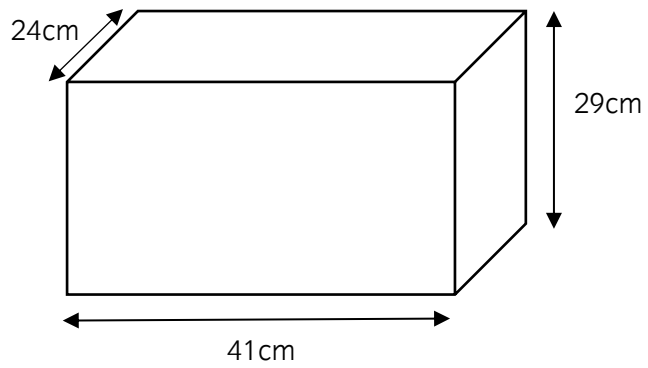
Is he correct? Explain your answer showing your calculation.

**Decision** (*tick one box*) **yes**  **no**

**Explanation**

**(2 marks)**

**Q13** A man has a fish tank with the following dimensions:



He needs to know approximate volume of the tank.

What is its approximate volume?

\_\_\_\_\_  $\text{cm}^3$   
(2 marks)

**End of Section 1**



# Ready to Take Your Functional Skills Exam?

Exam Centre is offering Ofqual-regulated, City & Guilds approved Functional Skills Maths and English exams; the nationally recognised GCSE grade 4+ (grade C) equivalent. Whether you're sitting for the first time or resitting, we offer flexible exam bookings online and at our centre all year round.

 **Book Now!**

## Book Your Exams & Courses

Qualification	Private Course	Online Exam	Exam in London
Functional Skills Maths Level 1 & 2	<a href="#">Enrol on Course</a>	<a href="#">Book Online Exam</a>	<a href="#">Book London Exam</a>
Functional Skills English Level 1 & 2	<a href="#">Enrol on Course</a>	<a href="#">Book Online Exam</a>	<a href="#">Book London Exam</a>

## Why Exam Centre?

- Ofqual-regulated & fully accredited
- City & Guilds approved awarding body exams
- Accepted by employers, colleges, universities & apprenticeship providers
- Flexible online and in-person options across the UK
- Recognised GCSE Maths & English equivalent (grade 4+ / grade C)

CALL US FOR MORE INFORMATION:

 **020 7288 9020**

 [booking@examcentre.co.uk](mailto:booking@examcentre.co.uk)

 [www.examcentre.co.uk](http://www.examcentre.co.uk)