



FUNCTIONAL SKILLS MATHS & ENGLISH

LEVEL 1 & 2 EXAMS

Functional Skills Maths & English Exams

Exam Centre is a specialist provider of **Functional Skills** qualifications in **Maths** and **English**, offering **City & Guilds** examinations that are fully regulated and **approved by Ofqual**.

Our Functional Skills qualifications are recognised as equivalent to **GCSE grade 4+ (grade C and above)**, providing learners with a credible and nationally accepted route into further education, apprenticeships, and employment.

[BOOK NOW](#)

[LEARN MORE](#)

Online Courses

- ➔ Functional Skills Maths
- ➔ Functional Skills English

Exams

- ➔ Functional Skills **Maths** Level 1 or 2 Exams **in London**
- ➔ Functional Skills **English** Level 1 or 2 Exam **in London**
- ➔ **Online** Functional Skills **Maths** Level 1 or 2 Exams
- ➔ **Online** Functional Skills **English** Level 1 or 2 Exam

***Disclaimer:** The content of this document belongs to the respective awarding body and is shared for educational purposes only, Exam Centre does not claim ownership of this material.*



www.examcentre.co.uk



362 Essex Road
Islington N1 3PD



020 7288 9020

BOOK YOUR FUNCTIONAL SKILLS EXAM NOW!

Please write clearly in block capitals.

Centre number

Candidate number

Surname _____

Forename(s) _____

Candidate signature _____

I declare this is my own work.

Functional Skills Level 2 MATHEMATICS

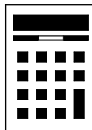
Paper 2 Calculator

Time allowed: 1 hour 30 minutes

Materials

For this paper you must have:

- a calculator
- mathematical instruments.



Instructions

- Use black ink or black ball-point pen. Draw diagrams in pencil.
- Answer **all** questions.
- You must answer the questions in the spaces provided. Do not write outside the box around each page or on blank pages.
- If you need extra space for your answer(s), use the lined pages at the end of this book. Write the question number against your answer(s).
- Do all rough work in this book. Cross through any work you do not want to be marked.
- State the units of your answer where appropriate.

Information

- The marks for questions are shown in brackets.
- The maximum mark for this paper is 60.
- You may ask for more answer paper, graph paper and tracing paper. These must be tagged securely to this answer book.
- If your calculator does not have a π button, take the value of π to be 3.142

Advice

In all calculations, show clearly how you work out your answer.

For Examiner's Use	
Question	Mark
1–6	
7	
8	
9	
10	
TOTAL	



Section AAnswer **all** questions in the spaces provided.

- 1** The probability of an event happening is $\frac{3}{5}$

Circle the probability of the event **not** happening.**[1 mark]**

1

 $\frac{2}{5}$ $\frac{3}{5}$

0

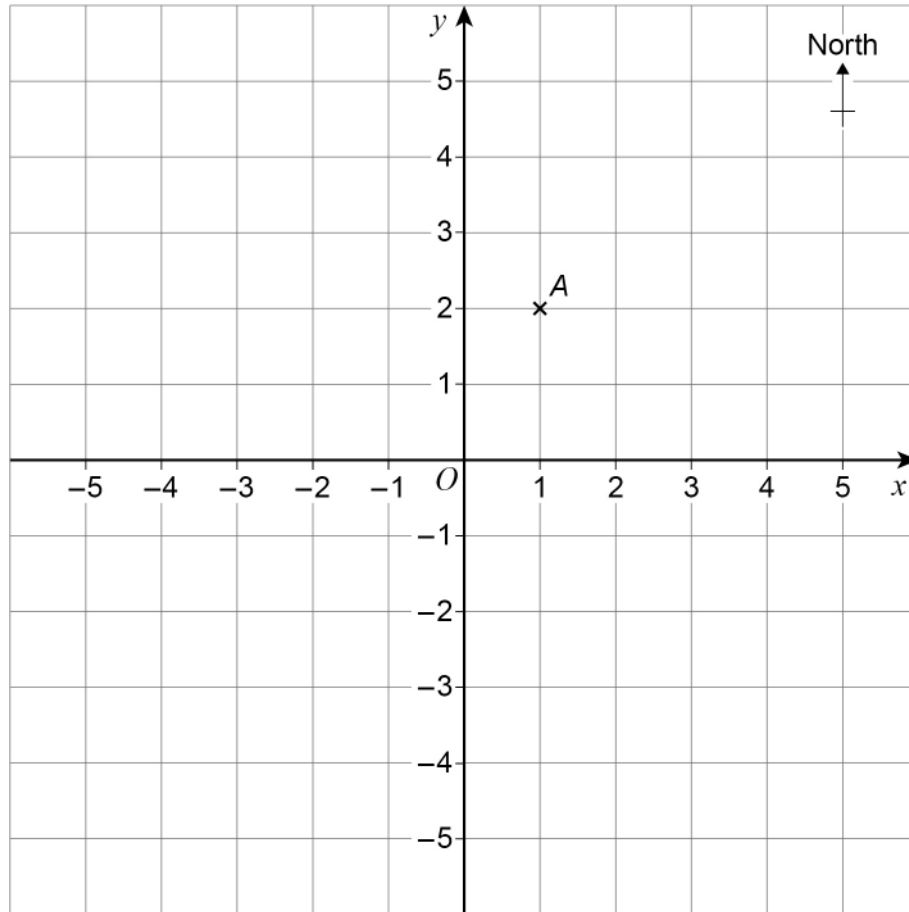
- 2** $x = 5$ and $y = -3.2$

Work out the value of $x + y^2$ **[2 marks]**

Answer _____



3



A is the point $(1, 2)$

B is the point

3 squares West of A

and

5 squares South of A .

Work out the coordinates of B .

[2 marks]

Answer (_____ , _____)

Turn over ►



4 In the boxes, write the number that is

3 more than -8

4 less than -2

halfway between -7 and 5

[3 marks]

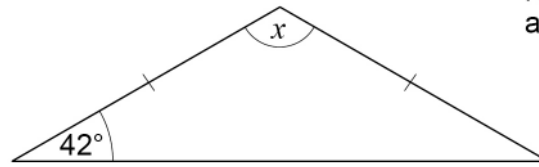
5 Write the ratio $144 : 90$ in its simplest form.

[2 marks]

Answer _____ : _____



6 Here is an isosceles triangle.



Not drawn
accurately

Work out the size of angle x .

[2 marks]

Answer _____^o

12

Turn over for Section B

Turn over ►



- 7 (c)** Jim is thinking of buying solar panels.
The price of these panels has decreased by 27% since 2016
Jim would need to pay £4803.40 for the panels now.

How much would the panels have cost in 2016?

[3 marks]

Answer £ _____

11



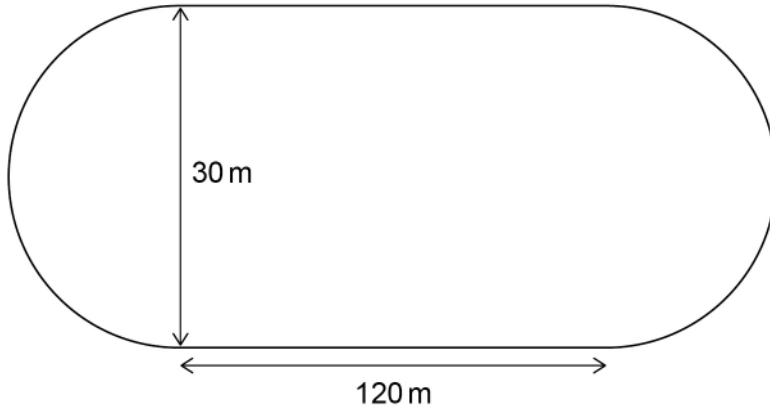
8 Dog

Ben has a dog called Pluto.

8 (a) Ben takes Pluto for a walk.

They walk **4 laps** of a sports track.

The sports track is the shape of two semi-circles joined by two straight sections.



Not drawn
accurately

Ben has a target to walk 5000 m each day.

What percentage of his daily target has Ben completed on this walk?

[5 marks]

Answer _____ %

Question 8 continues on the next page

Turn over ►

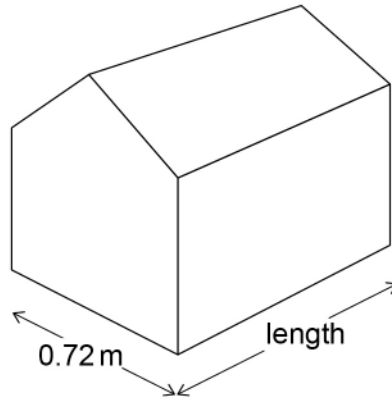


8 (c) In his garden, Ben has a rectangular fenced area for Pluto.

The fenced area measures 2.4 m by 2.25 m

Ben builds a kennel for Pluto which covers $\frac{1}{6}$ of the fenced area.

Here is a sketch of the kennel.



The base of the kennel is a rectangle.

Work out the length of the kennel.

[4 marks]

Answer _____ m

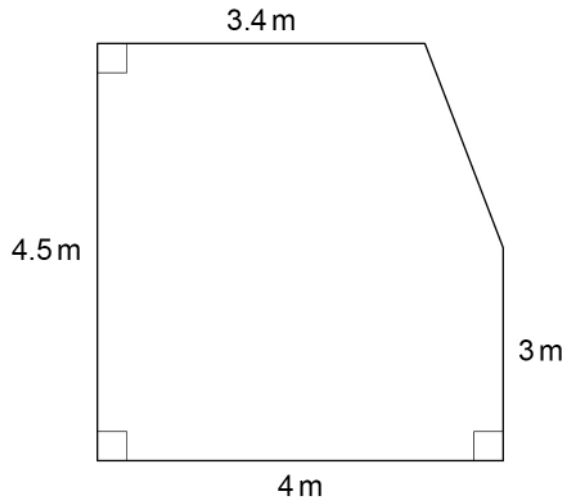
Turn over for the next question



10 Conservatory

Molly is building a conservatory.

10 (a) Here is a plan view of the conservatory.



Not drawn
accurately

The conservatory floor will be made of concrete.

The concrete floor will be 0.1 m deep.

What volume of concrete will Molly need for the floor?

State the units of your answer.

[6 marks]

Answer _____

Question 10 continues on the next page

Turn over ►



There are no questions printed on this page

*Do not write
outside the
box*

**DO NOT WRITE ON THIS PAGE
ANSWER IN THE SPACES PROVIDED**





Ready to Take Your Functional Skills Exam?

Exam Centre is offering Ofqual-regulated, City & Guilds approved Functional Skills Maths and English exams; the nationally recognised GCSE grade 4+ (grade C) equivalent. Whether you're sitting for the first time or resitting, we offer flexible exam bookings online and at our centre all year round.

 **Book Now!**

Book Your Exams & Courses

Qualification	Private Course	Online Exam	Exam in London
Functional Skills Maths Level 1 & 2	Enrol on Course	Book Online Exam	Book London Exam
Functional Skills English Level 1 & 2	Enrol on Course	Book Online Exam	Book London Exam

Why Exam Centre?

- Ofqual-regulated & fully accredited
- City & Guilds approved awarding body exams
- Accepted by employers, colleges, universities & apprenticeship providers
- Flexible online and in-person options across the UK
- Recognised GCSE Maths & English equivalent (grade 4+ / grade C)

CALL US FOR MORE INFORMATION:

 **020 7288 9020**

 booking@examcentre.co.uk

 www.examcentre.co.uk